



Instruction Manual

CiUBalconyFixed/CiUBalconyFlex



ClickitUp®
by ErgoSafe®

Contents

Safety	3
Reception - unloading	3
Installation	4
Preparations prior to installation	4
Installation	5
Technical specification	7
Use	8
Warranty	8
Dismantling	8
Performance declaration	9

Safety

GLASS

The glass is safety glass - laminated. With upgrade: See ClickitUp

Reception - unloading

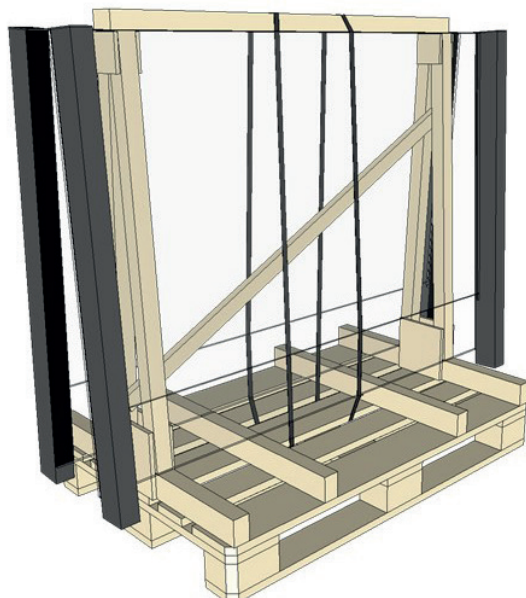
ON DELIVERY

In connection with the delivery of ErgoSafe's glass railing, a delivery check should be carried out to detect transport damage or other defects in the packaging and/or product. Any delivery damage must be noted on the shipping company's consignment note and ErgoSafe must be notified at the latest one week after receipt of the delivery. Thereafter, it is not possible to cite discrepancies regarding the delivery.

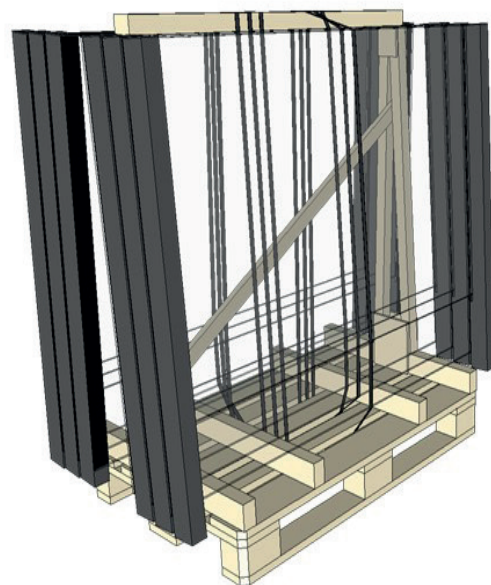
UNLOADING FROM PALLETS

Note that unloading must be performed in a specific order, otherwise personal injury can occur. There is also a risk of product damage. Set the pallets on a flat surface.

1. Start by removing the packaging plastic
2. Then lift off the sections that are to be installed from pallets
3. Remember to secure the sections remaining on pallets so these do not fall

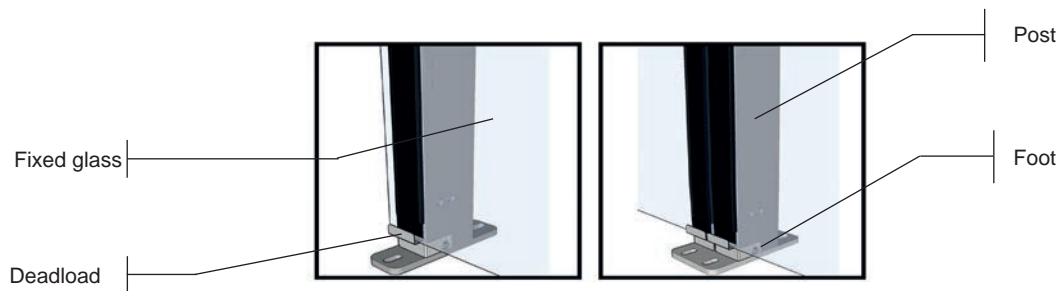


Each section is individually secured on the packaging to prevent falling during unloading.



Loosen the straps gradually as sections are installed. Each package can hold up to 6 sections.

Installation

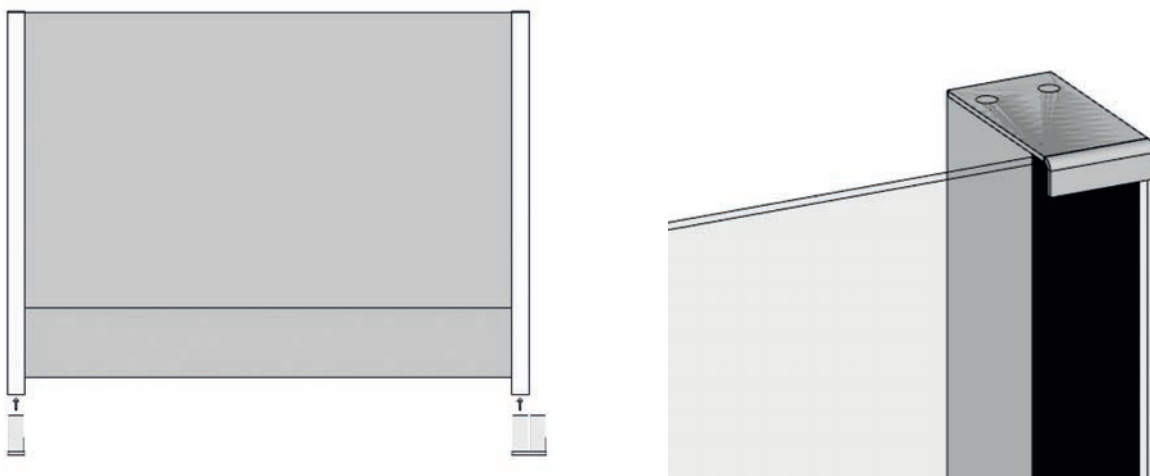


Preparations prior to installation

Below is a description of what is important to consider when installing a glass railing from ErgoSafe. Read through the manual before starting to install.

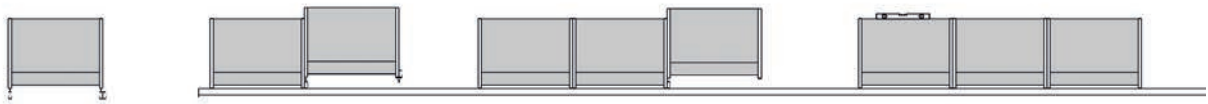
Each section is delivered ready-assembled. Sections are linked together to form a system with the help of double cover caps and double baseplate mounts. The substrate must be dimensioned according to current standards. When attaching to concrete, the section must be mounted with rubber cloth against the concrete surface.

Our sections is delivered complete with cover caps and baseplate mounts, single or double depending on what is specified on the order. During transport the section/sections are fitted with transport cover caps.



6 screws per section are supplied, intended to secure installed sections.

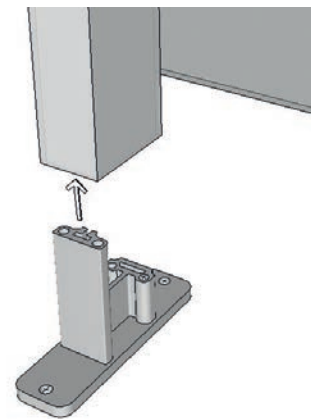
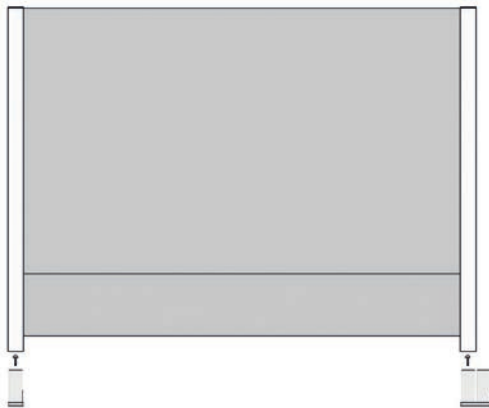
Note! Screws for fastening in the substrate are not included.



Installation

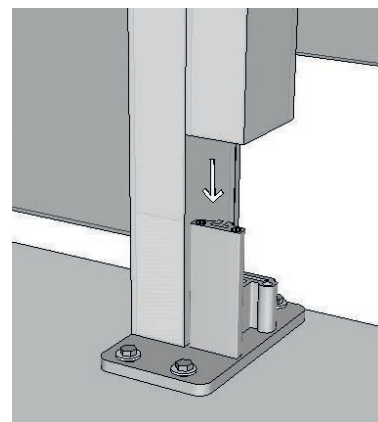
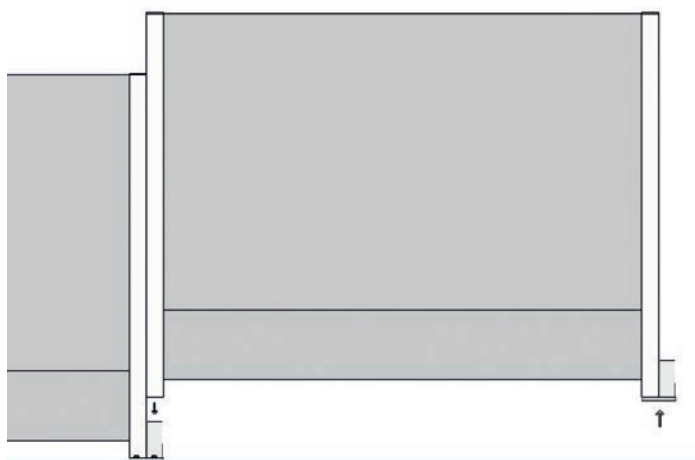
1. Install the first section

Measure out a straight line where the glass railing is to be installed. Note that if the ground slopes the posts will be in their bottom position at the ground's highest point. Any adjustments are made as per figure 3. If corners are to be installed, start with this. Place the first section on the baseplate mounts. Use the fastening fittings on the baseplate mounts that are designed for the glass balustrades substrate. ErgoSafe recommends attaching the section to a stable surface, concrete or timber. Once the first section is in position, prepare single/double mounts for the next section.



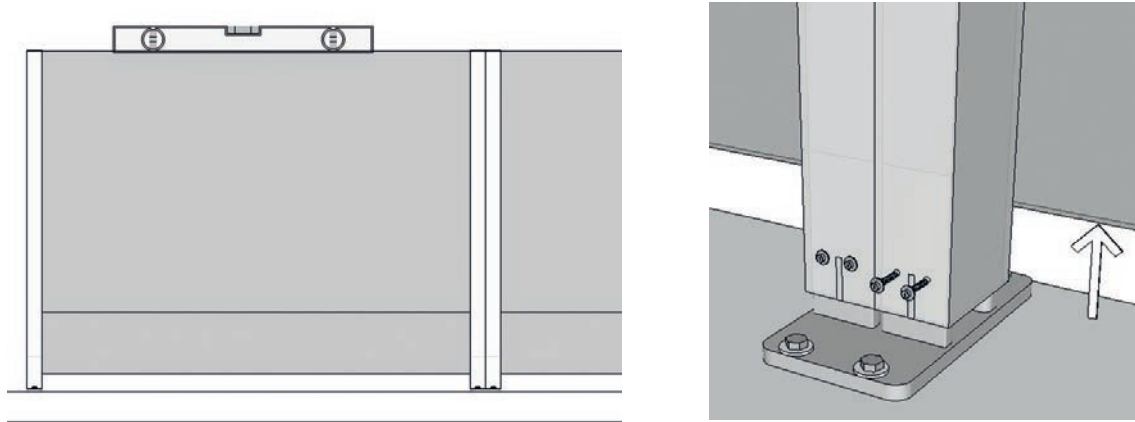
2. Install all sections

Set out the other sections. Continue as per the same principle until all sections are in position.



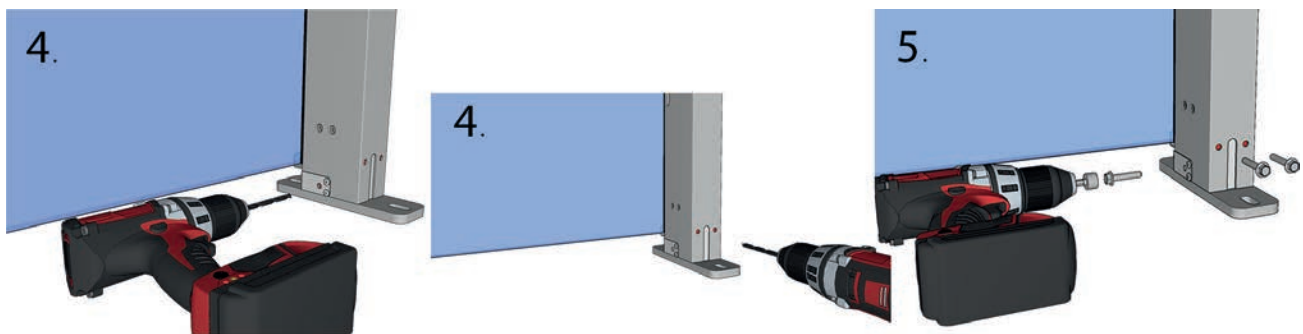
3. Adjust the height and fit the top cap

Install level. Use a suitable tool, e.g. a spirit level. Screws are included for fastening sections.



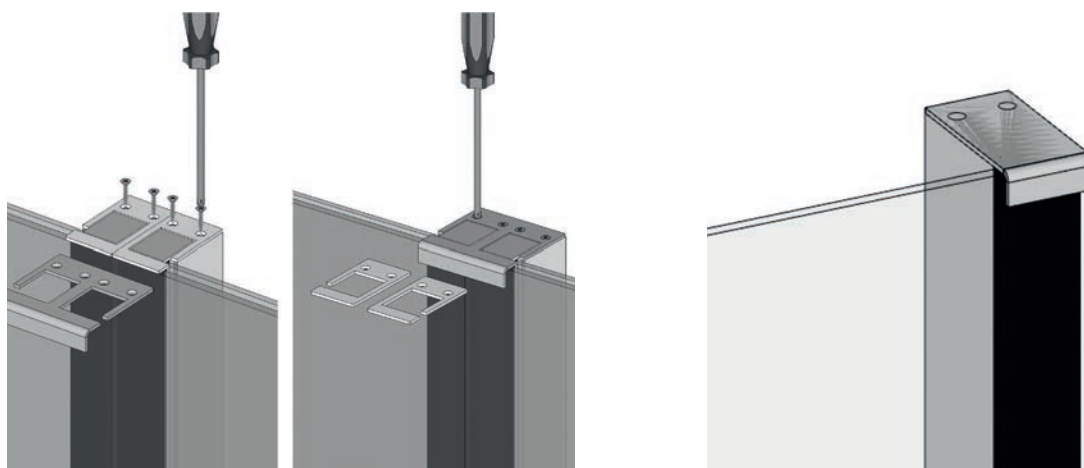
4. Drill six $\varnothing 5.5$ mm holes after the section is installed level

5. Secure with STAPS B6, 3x38 SS HEX8 (supplied).



6. Fitting permanent caps

Now to the finish of the installation. Fit the permanent top caps, single or double. Exercise care to align the top cap with the outer edges of the post profile.



Technical specification

Product	CiUBalconyFixed	CiUBalconyFlex
Description	Glass balustrade	Glass balustrades with the possibility to upgrade to ClickitUpBalcony which has an upper movable part
Safety	The glass is designed to be user-safe. Tested according to EN12600:2002 heavy shock.	The glass is designed to be user-safe. Tested according to EN12600:2002 heavy shock. With upgrade: See ClickitUpBalcony
Production method	Structural glazing is used to mount the glass onto aluminium poles.	
Ground mounts	Standard	
Covers	Single, double, offset corner	
Material	Glass, aluminium and stainless steel	
Glass	Toughened laminate glass 8.76 mm	
Height	1100 mm	1100 mm. With upgrade: See ClickitUpBalcony
Max width straight section	Max 1800 mm	Max 1800 mm
Surface treatment	Natural anodising as standard. Optional black anodising or powder-coating from the RAL colour chart (fixed posts only)	

Use

MAINTENANCE

In order for stainless steel details (the top cap) to maintain their appearance they should be polished annually.

Warranty

In order for the warranty to be valid the conditions A-C must be met:

A: When invoking the warranty, the seller must be contacted to assess the complaint with regard to the warranty. The seller must confirm that the fault is of such a nature that it is covered by the warranty. All interventions or measures on the product that do not go through ErgoSafe's complaints department invalidate the warranty and are entirely the responsibility of the person who has performed or ordered the work.

B: When invoking the warranty, the product's serial number must be stated as well as any pictures that clarify what is being claimed on the warranty.

C: When exchanging parts, these must unconditionally be returned to the seller. If this does not occur, the customer loses the right to warranty compensation.

The warranty does not cover: Incorrect installation or a settlement in the ground or timber structure.

Dismantling

When dismantling

Note!

Risk of cuts

Exercise care when handling glass. The product consists of thermally tempered glass that, in the event of incorrect handling, can break and cause injuries.

MATERIAL RECYCLING

All metals are sorted in containers for metal.

Plastic and rubber are sorted as inflammable materials.

Glass is sorted as filling material.

Declaration of Performance for ClickitUp[®]Balcony

Product:	Balcony system	
Intended use:	Personal protection Balcony	
Manufacturer:	ERGOSAFE Reparatörgatan 1 30262 Halmstad, Sweden	
Systems of attestation of conformity:	2+	
Notified body:	SP AB	
Notified body no.:	0402	
Has performed an initial audit and assessment of factory production control as well as performed the ongoing supervision of factory production control and has issued certificates for factory production control (FPC) no.: 0402-CPR - SC1078-15		
Essential characteristics	Performance	Harmonised technical specification
Geometric data (tolerances for dimensions and form)	EN 1090-1, tolerance class 1	EN 1090-3 annex G
Weldability	NPD	
Fracture toughness	NPD	
Reaction to fire	Material class A1	EN 13501-1
Release of Cadmium	NPD	
Radioactive radiation	NPD	
Durability	Surface treatment according to 1090-2, degree of pre-treatment P3. Surfaces painted according to EN ISO 12944.	EN 1999-1-1
Deformation in serviceability limit state	<30 mm at full load	EN 1090:2009+A1:2011
Execution classification	EXC2	EN 1090-3 Annex G
Fire resistance	NPD	
Ultimate bearing strength characteristics	NPD	
Fatigue	NPD	

This declaration of performance is issued under the sole responsibility of ErgoSafe AB. Signed for and on behalf of the manufacturer by:

Halmstad 17/12/2016



Fredrik Johansson, CEO







ClickitUp[®] by ErgoSafe[®]

ErgoSafe AB | Reparatörgatan 1 | SE-302 62 Halmstad | +46 (0)10-480 47 00 | www.ergosafe.se